

4

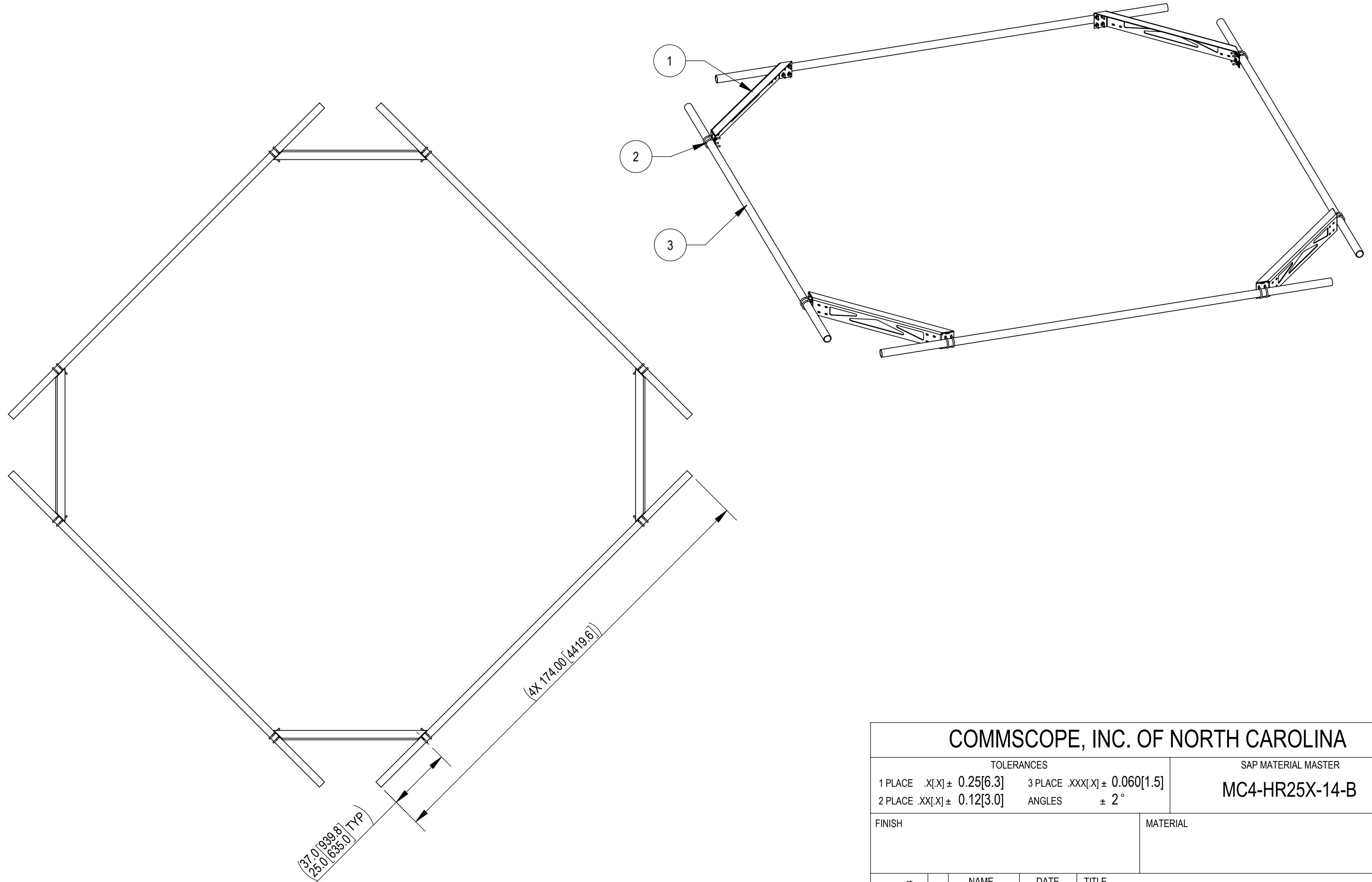
3

2

1

- 1.0 GENERAL NOTES
  - 1.1 ALL METRIC DIMENSIONS ARE IN BRACKETS [X.X]
  - 1.2 FOR PATENT INFO: <https://www.cs-pat.com>
- 2.0 DESIGN NOTES
  - 2.1 KIT WILL WORK WITH 14 FOOT MC-PM4 PLATFORM KITS AND MONOPOLE SIZES FROM 15" OD TO 45" OD.
- 3.0 MANUFACTURING/SPECIAL REQUIREMENTS
  - 3.1 TIGHTEN ALL BOLTS SECURING FLAT PLATES BY THE TURN-OF-NUT METHOD. TIGHTEN ALL U-BOLTS USING TURN-OF-NUT METHOD WITH ATTENTION TO LEAVE EQUAL DISTANCE AND EQUAL FORCE ON EACH LEG OF THE U-BOLT.
- 4.0 TEST
- 5.0 PACKAGING
  - 5.1 PACKAGING SHALL MEET COMMSCOPE REQUIREMENTS PER DOCUMENT IS-PL-3005
  - 5.2 PRINTED DOCUMENT TO BE PLACED INSIDE POLYBAG AND THEN IN SHIPPING CONTAINER
  - 5.3 EXTRA HARDWARE MAYBE SUPPLIED, BAGGED AND SHIPPED

REVISIONS			
REV.	DESCRIPTION	DATE	APPROVED
A	INITIAL RELEASE	YMENG 21OCT21	BA1025 15811
B	UPDATED VIEW ON SHEET 2 TO MATCH PLATFORM CHANGED	YMENG 08OCT22	BA1025 40156827CMO



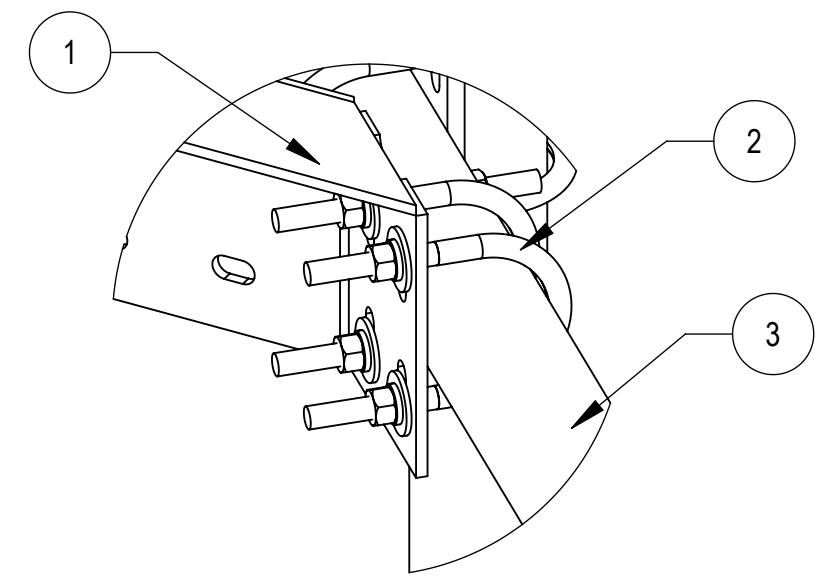
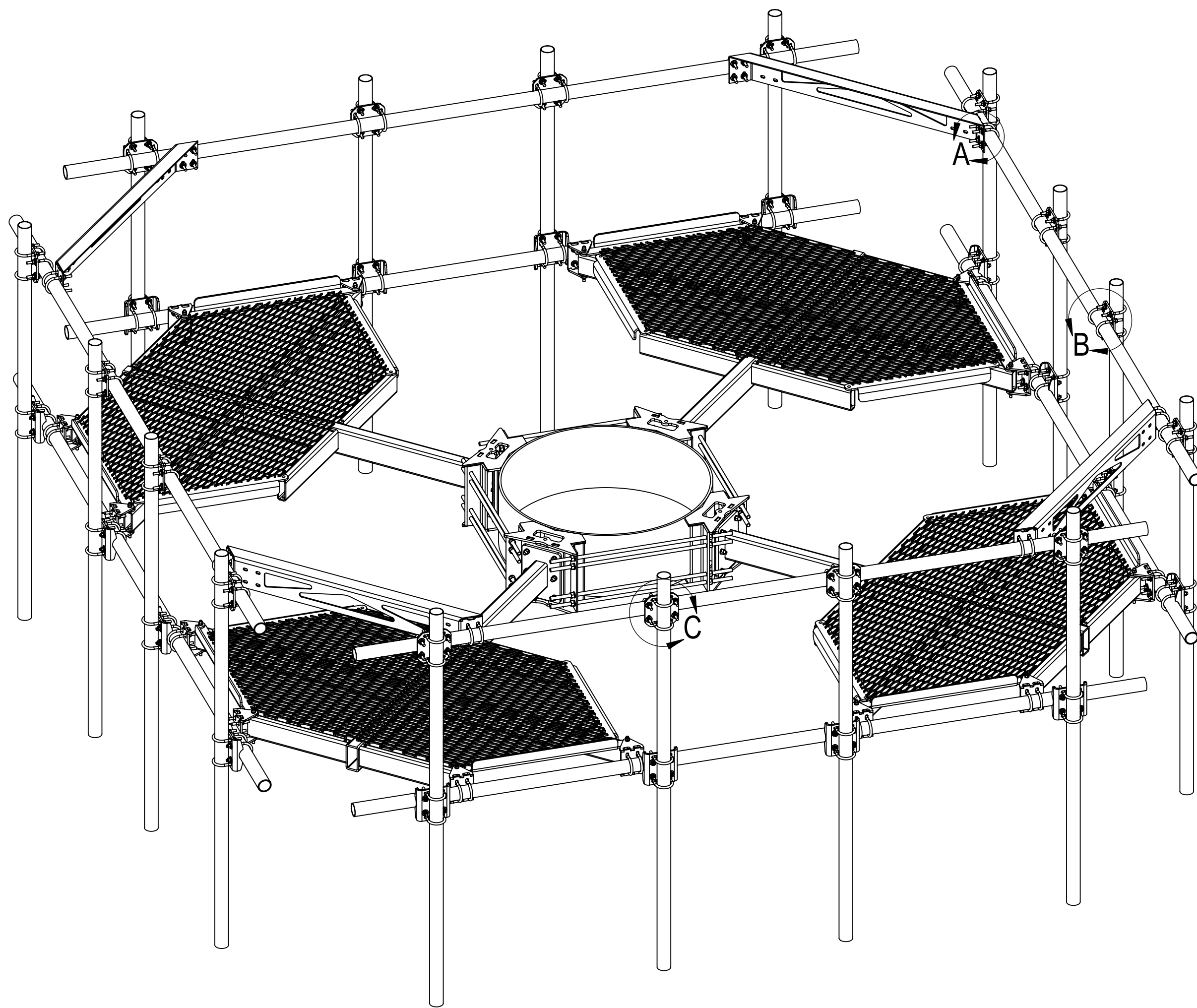
COMPONENT PART NUMBERS PROVIDED FOR ASSEMBLY PURPOSES;  
INDIVIDUAL COMPONENTS MAY BE SHIPPED AS PARTS WITHIN AN INCLUDED KIT.

ITEM	PART NO.	DESCRIPTION	QTY.	WEIGHT	NOTE NO.
1	MC4-HR25X-2000	CORNER WELDMENT SNUB NOSE HANDRAIL	4	34.74 LBS	
2	GUB-4352	1/2" X 3" X 5-1/4" GALV U-BOLT	16	0.71 LBS	
3	MT-546-174	PIPE, 2.875"OD X 174"	4	84.30 LBS	

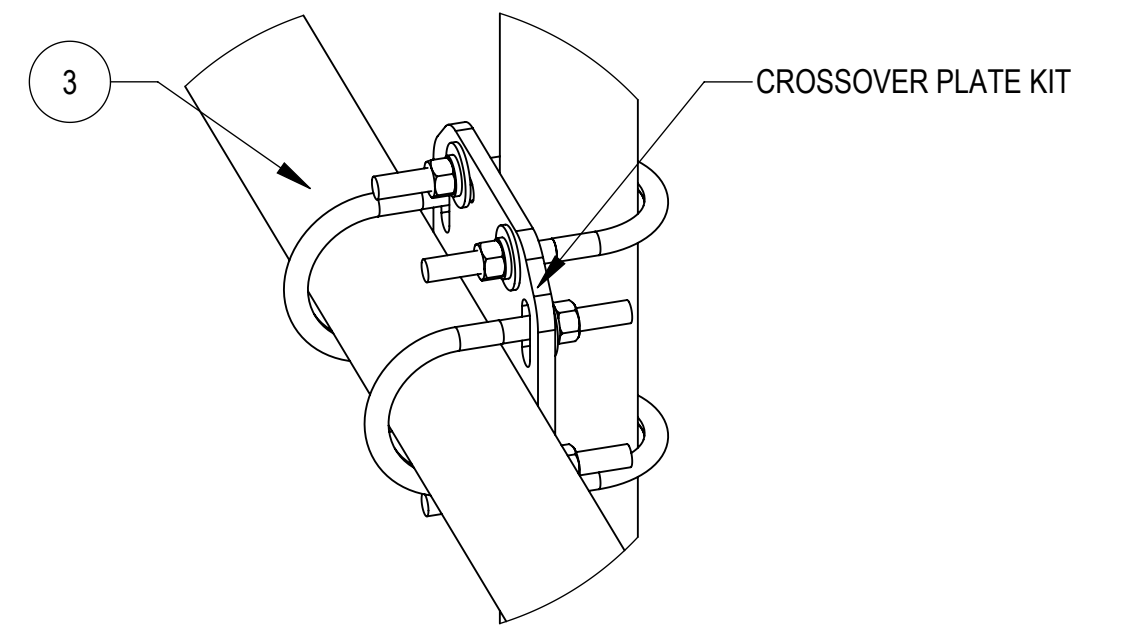
DENSITY	490.61	lbs/in <sup>3</sup>
MASS	490.61	lbs
VOLUME	1730.03	in <sup>3</sup>
SURFACE AREA	16500.88	in <sup>2</sup>
HEIGHT	7.4[188]	
LENGTH	208.5[5296]	
WIDTH	208.5[5296]	

**COMMSCOPE, INC. OF NORTH CAROLINA**

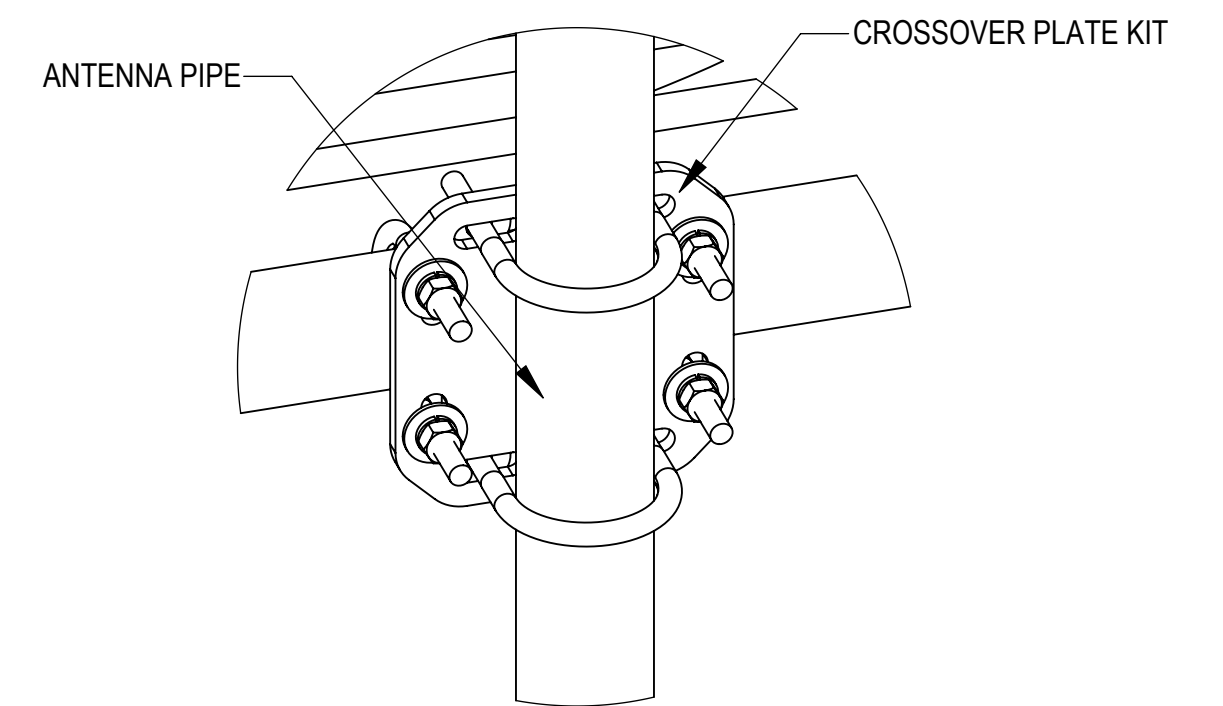
TOLERANCES		SAP MATERIAL MASTER	
1 PLACE .X[X] ± 0.25[6.3]	3 PLACE .XXX[X] ± 0.060[1.5]	<b>MC4-HR25X-14-B</b>	
2 PLACE .XX[X] ± 0.12[3.0]	ANGLES ± 2°		
FINISH		MATERIAL	
UNLESS OTHERWISE SPECIFIED DIMENSIONS ARE IN INCHES INTERPRET PER ANSI Y 14.5M-1994		NAME	DATE
		CE YMENG	10/21/2021
		RW YMENG	10/08/2022
		AD BA1025	10/12/2022
		RE YMENG	01/11/2023
ECN 40156827CMO		TITLE	
		HR4, MONO PLATF, 2-7/8X14, NO ANT HRW	
		SCALE	DOCUMENT NO.
		<b>1:48</b>	<b>MC4-HR25X-14-B</b>
SIZE	Auth Group	INSL	MODEL
<b>C</b>			
		DRAWING	
VERSION	STATUS	REVISION	VERSION
01	RE	B	01
		STATUS	
		RE	
		REVISION	
		B	
		SHEET	
		1 OF 2	



DETAIL A  
SCALE 1 : 4



DETAIL B  
SCALE 1 : 4



DETAIL C  
SCALE 1 : 4

IMAGE SHOWS MC4-HR25X-14-B MOUNTED ON AN MC-PM14M4 SERIES PLATFORM.  
THE PLATFORM, VERTICAL PIPES, CROSSOVER PLATE KITS AND RING MOUNT ARE SHOWN FOR MOUNTING CLARITY AND  
ARE NOT INCLUDED IN THIS KIT.  
CONFIGURATION SHOWN IS FOR 45" OD POLE MOUNTING.

COMMSCOPE, INC. OF NORTH CAROLINA				
TITLE HR4, MONO PLATF, 2-7/8X14, NO ANT HRW				
SIZE <b>C</b>	SCALE <b>1:48</b>	DOCUMENT NO. <b>MC4-HR25X-14-B</b>		
		DRAWING		SHEET 2 OF 2
		VERSION 01	STATUS RE	